



TruLight 5000:

**Light –**  
where it's  
needed



The most efficient LED surgical light providing optimal light quality.

Machine tools/Power tools  
Laser technology/Electronics  
Medical technology





# Precision without compromises.

## Advanced LED technology for the operating theatre.

The demands placed on surgical lights are growing in line with the daily challenges faced by hospitals. Durability, flexibility and adaptability to individual operating room situations have become the decisive criteria.

The integration of innovative LED technology into medical lighting systems opens up a new dimension compared to ordinary halogen and gas discharge lamps.

Major advantages:

- Cost effectiveness: Extremely long working life, minimal maintenance costs
- Efficiency / Heat: Low heat generation, no infrared radiation, high light yield
- Environmentally friendly: Very low energy requirements, mercury-free
- Design: Unique, compact design for manoeuvrability and "laminar air flow"

## TruLight 5000. Creating a new class in surgical lighting.

The new LED operating light by TRUMPF is the best of its kind in terms of performance and efficiency. Based on a new optical lighting system, it combines all the advantages of innovative LED technology with the most efficient energy management.



### **Number one in energy efficiency.**

With an illumination of 150,000 lux and power consumption of only 65 watts, TruLight 5500 is the most efficient operating light on the market worldwide and actively contributes to greater cost effectiveness and environmental sustainability.

### **Light – where it's needed.**

The consistent distribution of light on the surgical field means that it is not necessary to adjust the TruLight 5000 during surgery. With the new Adaptive Light Control, the working area can even be expanded.

### **Easy positioning and slim design.**

The slim design makes the TruLight 5000 head very light and flat. The lights are easy to maneuver and position based on the needs of the surgical team.

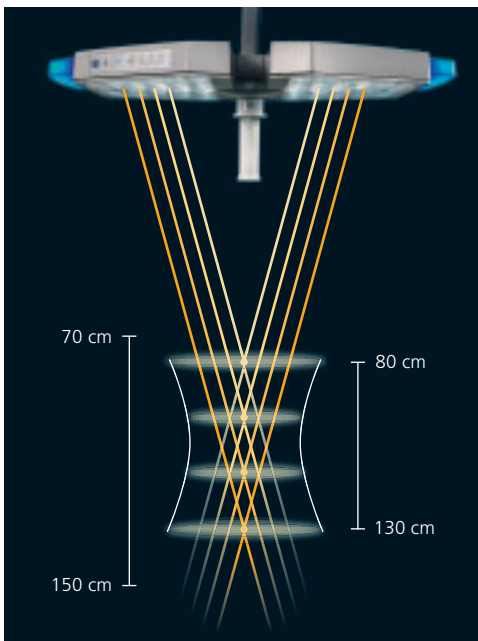
# Adapting to your environment.

## Sophisticated technologies for precise illumination.

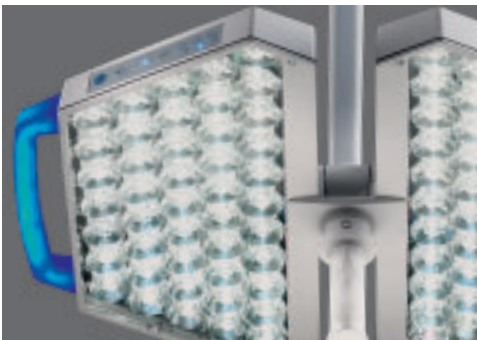
The TruLight 5000 Optical Lighting System is the result of extensive research and many years' experience: in the selection of the right LED technology, the lens geometry and the arrangement of the LED elements in the light head.

The optimal combination of LED, lens and orientation results in the highly advanced TruLight 5000 Multilensmatrix and provides the ideal distribution of light. The column of illumination reduces the need for refocusing the light during surgery.

Ingenious thermal management means that heat is dissipated efficiently, resulting in a noticeable increase in the durability and efficiency of the LEDs.



Creation of a homogenous light cylinder by aligning the LEDs on different focal planes.



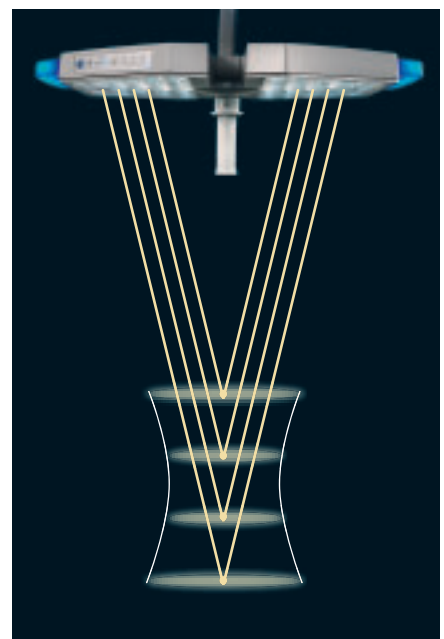
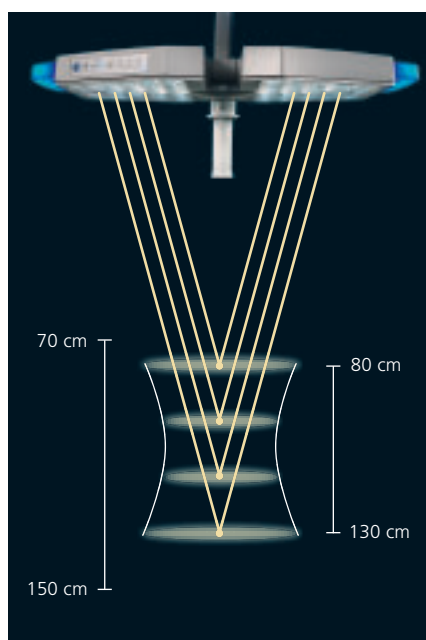
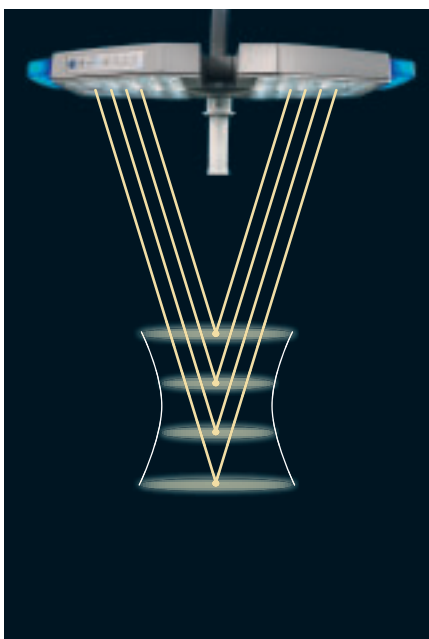
The flat, uninterrupted arrangement of the LED elements, as well as their orientation in the light head, provide a consistent lighting quality on the surface and at depth.

## TruLight 5000 Adaptive Light Control.

Adaptive Light Control enables the homogeneous light cylinder to be adapted for various working distances by the targeted electronic control of different LEDs. Additional keys on the control panel are used to position the homogenous light cylinder closer to or farther away from the light head.

Surgeons are granted a greater area of application and can preoperatively adjust the light according to their individual needs.

Touch panel integrated into the light head or wall control for easy control.



## As flexible as your requirements.

With TruLight 5000, TRUMPF offers you multiple configurations. Of course, you can also integrate high-resolution TruVidia solutions. The benefit for you? All the advantages of digital video transmission with maximum security of your investment.

### **Simple operation.**

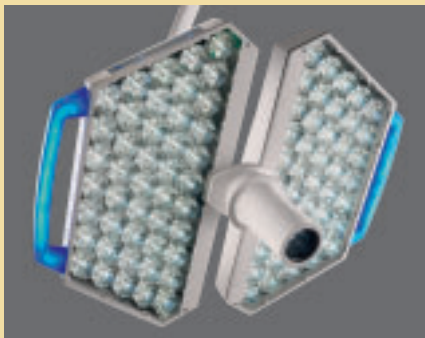
- For easy positioning, TruLight 5000 has both a sterile handle and a non-sterile outer handle with integrated LED lights for better identification in endo-mode.
- A new, central suspension joint results in exceptionally easy movement, even in versions designed for low ceiling heights.

### **Functional design.**

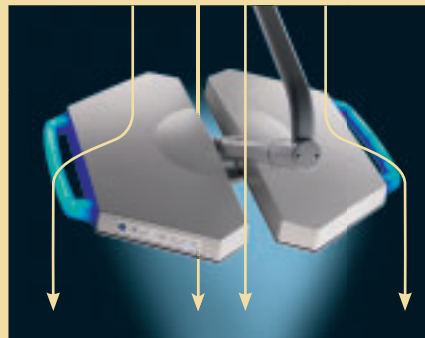
- Flat and compact light heads minimise interference.
- The open design reduces the airflow surface beneath the ventilated ceiling. This improves airflow and reduces unwanted turbulence.

### **Environmentally friendly.**

- As the most efficient operating light solution, TruLight 5000 requires only minimal energy despite its high illuminating power, noticeably reducing power consumption.
- With a service life of at least 20,000 operating hours, one LED illuminates many times longer than ordinary light sources. In addition, each LED can be replaced individually and on site.



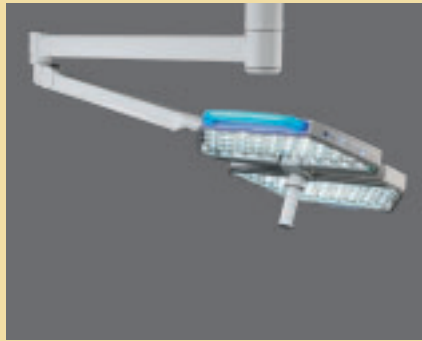
Integrated video communication for teaching, research and documentation.



Open design results in a high level of compatibility with ventilated ceilings.



TruLight 5500/5300 can be combined with different VidiaPort solutions.



The low room version of TruLight 5500 also offers freedom of mobility for personnel working in rooms with low ceiling heights.

**Ahead by a stretch: The TRUMPF support arm system.**

As a flexible lighting solution, TruLight 5000 can be individually combined with different support arm solutions, enabling it to be used as needed in different operating theatres.

**An overview of the different TruLight models:**

	TruLight 5500	TruLight 5300
Illumination (lux)	150,000	120,000
Light field diameter (cm)	20	20
Colour Rendering Index (Ra)	95	95
Colour temperature (K)	4,500	4,500
Dimming (%)	5–100	5–100
Power consumption of light heads (W)	65	60
LED life (h)	> 20,000	> 20,000



The mobile version guarantees unlimited alternatives for use in every room.

**iLED – the world’s best selling LED operating light.**

TruLight 5000 is the latest installment in the innovative family of TRUMPF LED surgical lights. The flagship iLED 3 and iLED 5 offer a lighting technology to meet the highest demands. As the first operating light with adjustable colour temperature, iLED adapts to every operating situation and offers the surgeon optimal contrasts – from warm/red 3,500 to cool/blue 5,000 kelvin.

TRUMPF Medical Systems  
throughout the world.

**TRUMPF Medizin Systeme GmbH + Co. KG**

Benzstraße 26 • 82178 Puchheim • Germany

Tel: +49 (0) 89 / 8 09 07-0

Fax +49 (0) 89 / 8 09 07-20

E-mail [info@de.trumpf-med.com](mailto:info@de.trumpf-med.com)

[www.trumpf-med.com](http://www.trumpf-med.com)

**TRUMPF Medizin Systeme GmbH**

Carl-Zeiss-Straße 7-9 • 07318 Saalfeld • Germany

Tel: +49 (0) 36 71 / 5 86-0

Fax +49 (0) 36 71 / 5 86-1 65

E-mail [info@de.trumpf-med.com](mailto:info@de.trumpf-med.com)

[www.trumpf-med.com](http://www.trumpf-med.com)

**Subsidiaries and branch offices:**

**France**

TRUMPF AMSA SAS

[www.fr.trumpf-med.com](http://www.fr.trumpf-med.com)

**Great Britain**

TRUMPF Medical Systems Ltd.

[www.uk.trumpf-med.com](http://www.uk.trumpf-med.com)

**Italy**

TRUMPF MED Italia s.r.l.

[www.it.trumpf-med.com](http://www.it.trumpf-med.com)

**USA**

TRUMPF Medical Systems, Inc.

[www.us.trumpf-med.com](http://www.us.trumpf-med.com)

**Australia**

TRUMPF MED Australia

[www.trumpf-med.com](http://www.trumpf-med.com)

**Singapore**

TRUMPF Medizin Systeme GmbH & Co. KG (Singapore)

[www.sg.trumpf-med.com](http://www.sg.trumpf-med.com)

**China**

TRUMPF Medical Systems Ltd.

[www.trumpf-med.com](http://www.trumpf-med.com)

**United Arab Emirates**

TRUMPF Medical Systems Dubai

[www.trumpf-med.com](http://www.trumpf-med.com)